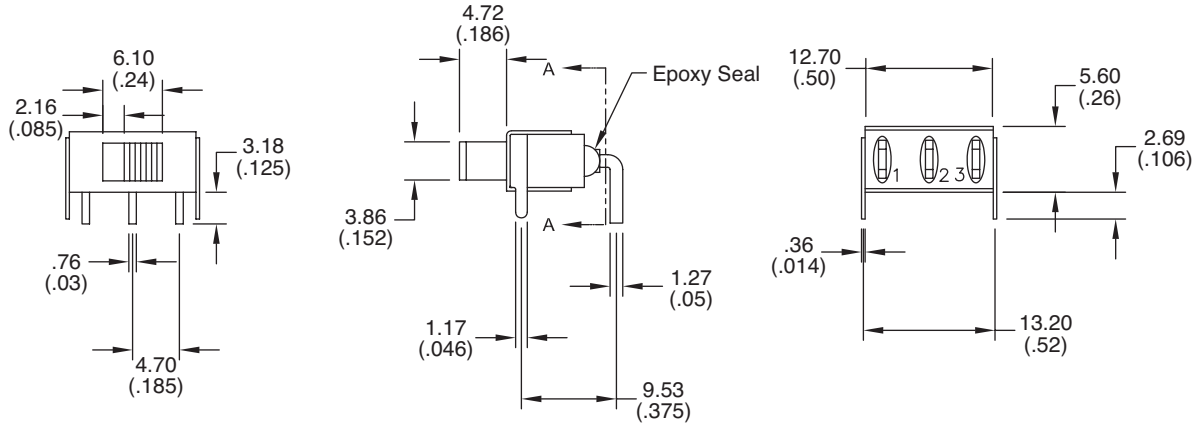
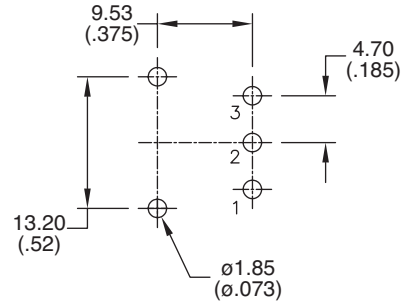


Dimensions: mm (In.)



POS.1	POS.2	POS.3
ON	NONE	ON
2-1	OPEN	2-3

Switch Function



P. C. Mounting

Electrical Specifications:

- Rating: 2 A/250VAC
5 A/120VAC or 28 VDC
- Contact Resistance: 10m Ω max. initial @2-4VDC 100mA
- Insulation Resistance: 1000M Ω min.
- Dielectric Strength: 1000 V RMS @ sea level

Mechanical Specifications:

- Mechanical Life: 30,000 make-and-break cycles
- Operating Temperature: -30°C to 85°C

Note:

- RoHS compliant

Materials:

- Case: Dially phthalate (DAP)
- Actuator: Nylon, black std.
- Housing: Stainless steel
- Contact: Silver plated
- Terminal Seal: Epoxy

Slide Switch
103-5007-EV

